

PHILIPS-SERVICE

711 A

13.8-51 m

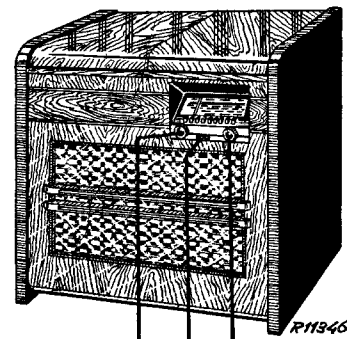
175-585 m
708-2000 m

128 kc/s
A-32 118 kc/s

9634 Z - 5 Ω

110, 125, 145, 200, 220, 245 V.

50 W

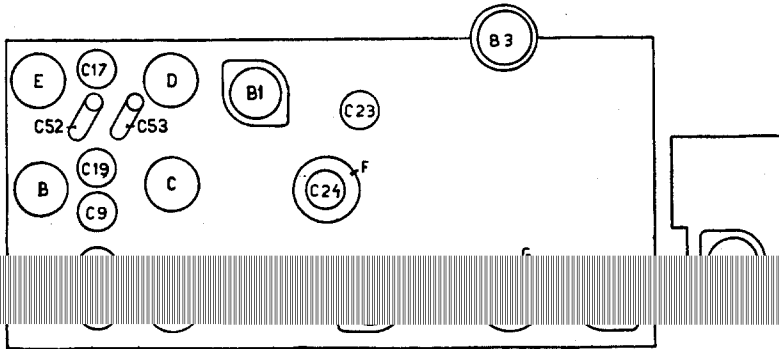


R11346

VOL.

175-585 m	175-585 m	708-2000 m
<p>C3, C4, C5 180 m</p> <p>VOL max.</p> <p>128 kc/s-33000 pF-g1B1</p> <p>118 kc/s (A-32)</p> <p>C27-82 pF</p> <p>C30 max.</p> <p>C27</p> <p>S26-82 pF</p> <p>C27 max.</p> <p>S26</p> <p>C24, C23 max.</p>	<p>VOL max.</p> <p>C3, C4, C5 + 15°</p> <p>1600 kc/s-Υ</p> <p>C17, C9, C6, C9, C17 max.</p> <p>25 pF-aB1</p> <p>546 kc/s-Υ</p> <p>C3, C4, C5 546 kc/s</p> <p>C52 max.</p>	<p>25 pF-aB1</p> <p>400 kc/s-Υ</p> <p>C3, C4, C5 400 kc/s</p> <p>C19 max. ∥</p> <p>25 pF-aB1</p> <p>160 kc/s-Υ</p> <p>C3, C4, C5 160 kc/s</p> <p>C53 max.</p>
<p>708-2000 m</p> <p>VOL Max</p> <p>128 kc/s-Υ</p> <p>118 kc/s (A-32)</p> <p>C35 min.</p>		

15° = 2V 351 06.3



R10350A

R1	1500 Ω	48 467 10/1K5	C1	45 μF	49 032 01.0
R2	0.1 MΩ	48 426 10/100K	C2	32 μF	49 032 00.0
R3	330 Ω	48 426 10/330E	C3	12-518 pF	48 406 99/10E
R4	47000 Ω	48 426 10/47K	C4	12-518 pF	49 000 23.1
R5	47000 Ω	48 427 10/47K	C5	12-518 pF	
R6	27000 Ω	48 427 10/27K	C6	2.5-20 pF	49 005 05.2
R7	1.8 MΩ	49 376 63.0	C7	0.1 μF	48 751 10/100K
R8	150 Ω	48 426 10/150E	C8	10 pF	48 406 99/10E
R9	0.22 MΩ	48 426 10/220K	C9	2.5-20 pF	49 005 05.2
R10	0.27 MΩ	48 426 10/270K	C10	12000 pF	48 751 10/12K
R11	0.18 MΩ	48 426 10/180K	C11	39000 pF	48 751 10/39K
R12	0.65 MΩ	49 500 12.0	C12	2.2 pF	49 055 61.0
R12a	0.05 MΩ		C13	47 pF	48 406 10/47E
R13	0.82 MΩ	48 426 10/820K	C14	470 pF	48 406 10/470E
R14	1 MΩ	48 426 10/1M	C15	47000 pF	48 751 10/47K
R15	1000 Ω	48 426 10/1K	C16	0.22 μF	48 751 20/220K
R16	50000 Ω	49 500 80.1	C17	2.5-20 pF	49 005 05.2
R17	0.33 MΩ	48 426 10/330K	C18	1362 pF	48 429 01/1K362
R18	0.12 MΩ	48 426 10/120K	C18		
R19	0.47 MΩ	48 426 10/470K	(A-32)	1460 pF	48 429 01/1K46
R20	1000 Ω	48 426 10/1K	C19	2.5-20 pF	49 005 05.2
R22	100 Ω	48 427 10/100E	C20	39 pF	48 406 10/39E
R23	0.47 MΩ	48 426 10/470K	C21	325 pF	48 429 10/325E
R24	150 Ω	48 426 10/150E	C22	47000 pF	48 751 10/47K
R25	4700 Ω	48 426 10/4K7	C23	70-100 pF	49 005 06.0
R26	1500 Ω	48 426 10/1K5	C24	70-100 pF	
R27	0.82 MΩ	48 426 10/820K	C25	68000 pF	48 751 10/68K
R28	10000 Ω	48 426 10/10K	C26	47000 pF	48 751 10/47K
R29	0.1 MΩ	48 426 10/100K	C27	70-100 pF	49 005 06.0
R30	39000 Ω	48 426 10/39K	C28	12 pF	48 406 10/12E
R31	33000 Ω	48 427 10/33K	C29	18 pF	48 406 10/18E
R32	2 × 4.7 MΩ	48 427 10/4M7	C30	70-100 pF	
R33	0.18 MΩ	48 426 10/180K	C31	56 pF	48 406 10/56E
R34	0.47 MΩ	48 426 10/470K	C32	33000 pF	48 751 10/33K
R35	1 MΩ	48 426 10/1M	C33	68000 pF	48 751 10/68K
R38	22000 Ω	48 426 10/22K	C34	47000 pF	48 751 10/47K
R39	0.39 MΩ	48 426 10/390K	C35	70-100 pF	49 005 06.0
R40	15 Ω	48 425 10/15E	C36	56000 pF	48 751 10/56K
R41	3300 Ω	48 426 10/33E3	C37	330 pF	49 055 05.3
R42	0.1 MΩ	48 426 10/100K	C38	4700 pF	48 758 20/4K7
R43	47000 Ω	48 426 10/47K	C39	2000 pF	48 429 05/2K
R44	0.47 MΩ	48 425 10/470K	C40	22000 pF	48 751 10/22K
R53	39/2 Ω	48 427 10/39E	C41	10000 pF	48 751 10/10K
R54	22000 Ω	48 425 10/22K	C42	56000 pF	48 751 10/56K
			C44	47000 pF	48 751 10/47K
			C46	0.18 μF	48 751 10/180K
			C47	3900 pF	48 751 10/3K9
			C52	200 pF	28 212 08.2
			C53	200 pF	28 212 08.2
			C54	0.18 μF	48 751 10/180K
			C55	0.18 μF	48 751 10/180K
			C56	1000 pF	48 429 10/1K
			C66	3300 pF	48 751 10/3K3
			C67	820 pF	49 128 01.0

Dst

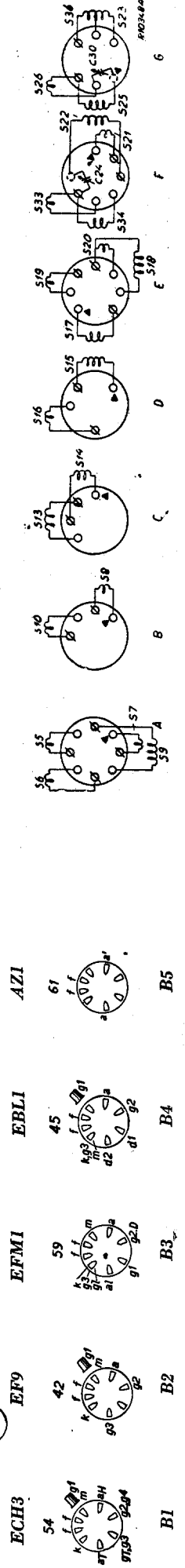
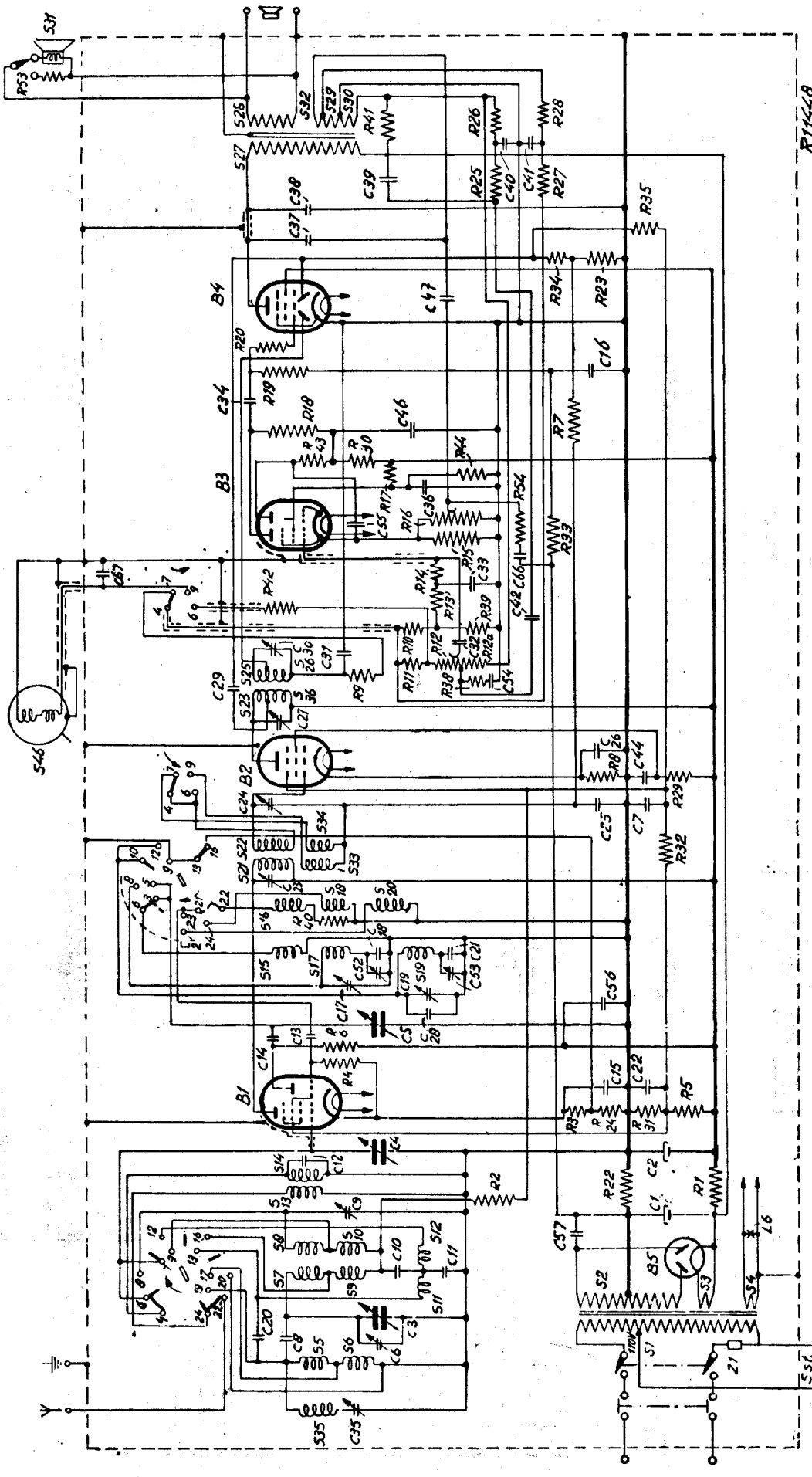
S 5 000 90.0

	B1		B2	B3		B4	B5	V
	aH	aT		P	T			
Va	250	135	245	90	30	260		V
Vg2(4)	75		75	30	140	240		V
Vk	2,1		0,7			0		V
Ia	0,93	4	5,9	0,7		34		mA
Ig2(4)	1,5		1,6	0,55		5		mA

VC1 = 290V VC2 = 240V

S1, S2, S3, S4 S5, S6, S7, S9 S8, S10 S11, S12 S13, S14 S15, S16 S17, S18, S19, S20 S21, S22, S33, S34, C24 S21, S22, S33, S34, C24, (A-32)	A1 055 56.0 A1 035 34.2 A1 035 35.1 28 587 71.0 A1 035 32.1 A1 035 33.0 A1 036 46.0 A1 036 29.0 A1 036 21.0	S23, S25, S26, S36, C30 S23, S25, S26, S36, C30 (A-32) S27, S28, S29, S30, S32 S31 S35 S46	A1 035 91.1 A1 036 22.0 A1 080 82.0 28 220 51.1 28 587 88.0 28 538 32.1
---	---	--	--

93 951 23.1



ECH3
S4
S1
S2
S3
S4
S5
S6
S7
S8
S9
S10
S11
S12
S13
S14
S15
S16
S17
S18
S19
S20
S21
S22
S23
S24
S25
S26
S27
S28
S29
S30
S31
S32
S33
S34
S35
S36
S37
S38
S39
S40
S41
S42
S43
S44
S45
S46
S47
S48
S49
S50
S51
S52
S53
S54
S55
S56
S57
S58
S59
S60
S61
S62
S63
S64
S65
S66
S67
S68
S69
S70
S71
S72
S73
S74
S75
S76
S77
S78
S79
S80
S81
S82
S83
S84
S85
S86
S87
S88
S89
S90
S91
S92
S93
S94
S95
S96
S97
S98
S99
S100

B1
B2
B3
B4
B5

AZ1

EBL1

EFM1

EF9

ECH3

AZ1

EBL1

EFM1

EF9

ECH3

B1
B2
B3
B4
B5

AZ1

EBL1

EFM1

EF9

ECH3

B1
B2
B3
B4
B5

AZ1

EBL1

EFM1

EF9

ECH3

B1
B2
B3
B4
B5

AZ1

EBL1

EFM1

EF9

ECH3

B1
B2
B3
B4
B5

AZ1

EBL1

EFM1

EF9

ECH3

B1
B2
B3
B4
B5

AZ1

EBL1

EFM1

EF9

ECH3

B1
B2
B3
B4
B5

AZ1

EBL1

EFM1

EF9

ECH3

B1
B2
B3
B4
B5

AZ1

EBL1

EFM1

EF9

ECH3

B1
B2
B3
B4
B5

AZ1

EBL1

EFM1

EF9

ECH3

B1
B2
B3
B4
B5

AZ1

EBL1

EFM1

EF9

ECH3

B1
B2
B3
B4
B5

AZ1

EBL1

EFM1

EF9

ECH3

B1
B2
B3
B4
B5

AZ1

EBL1

EFM1

EF9

ECH3

B1
B2
B3
B4
B5

AZ1

EBL1

EFM1

EF9

ECH3

B1
B2
B3
B4
B5

AZ1

EBL1

EFM1

EF9

ECH3

B1
B2
B3
B4
B5

AZ1

EBL1

EFM1

EF9

ECH3

B1
B2
B3
B4
B5

AZ1

EBL1

EFM1

EF9

ECH3

B1
B2
B3
B4
B5

AZ1

EBL1

EFM1

EF9

ECH3

B1
B2
B3
B4
B5

AZ1

EBL1

EFM1

EF9

ECH3

B1
B2
B3
B4
B5

AZ1

EBL1

EFM1

EF9

ECH3

B1
B2
B3
B4
B5

AZ1

EBL1

EFM1

EF9

ECH3

B1
B2
B3
B4
B5

AZ1

EBL1

EFM1

EF9

ECH3

B1
B2
B3
B4
B5

AZ1

EBL1

EFM1

EF9

ECH3

B1
B2
B3
B4
B5

AZ1

EBL1

EFM1

EF9

ECH3

B1
B2
B3
B4
B5

AZ1

EBL1

EFM1

EF9

ECH3

B1
B2
B3
B4
B5

AZ1

EBL1

EFM1

EF9

ECH3

B1
B2
B3
B4
B5

AZ1

EBL1

EFM1

EF9

ECH3

B1
B2
B3
B4
B5

AZ1

EBL1

EFM1

EF9

ECH3

B1
B2
B3
B4
B5

AZ1

EBL1

EFM1

EF9

ECH3

B1
B2
B3
B4
B5

AZ1

EBL1

EFM1

EF9

ECH3

B1
B2
B3
B4
B5

AZ1

EBL1

EFM1

EF9

ECH3

B1
B2
B3
B4
B5

AZ1

EBL1

EFM1

EF9

ECH3

B1
B2
B3
B4
B5

AZ1

EBL1

EFM1

EF9

ECH3

B1
B2
B3
B4
B5

AZ1

EBL1

EFM1

EF9

ECH3

B1
B2
B3
B4
B5

AZ1

EBL1

EFM1

EF9

ECH3

B1
B2
B3
B4
B5

AZ1

EBL1

EFM1

EF9

ECH3

B1
B2
B3
B4
B5

AZ1

EBL1

EFM1

EF9

ECH3

B1
B2
B3
B4
B5

AZ1

EBL1

EFM1

EF9

ECH3

B1
B2
B3
B4
B5

AZ1

EBL1

EFM1

EF9

ECH3

B1
B2
B3
B4
B5

AZ1

EBL1

EFM1

EF9

ECH3

B1
B2
B3
B4
B5

AZ1

EBL1

EFM1

EF9

ECH3

B1
B2
B3
B4
B5

AZ1

EBL1

EFM1

EF9

ECH3

B1
B2
B3
B4
B5

AZ1

EBL1

EFM1

EF9

ECH3

B1
B2
B3
B4
B5

AZ1

EBL1

EFM1

EF9

ECH3

B1
B2
B3
B4
B5

AZ1

EBL1

EFM1

EF9

ECH3

B1
B2
B3
B4
B5

AZ1

EBL1

EFM1

EF9

ECH3

B1
B2
B3
B4
B5